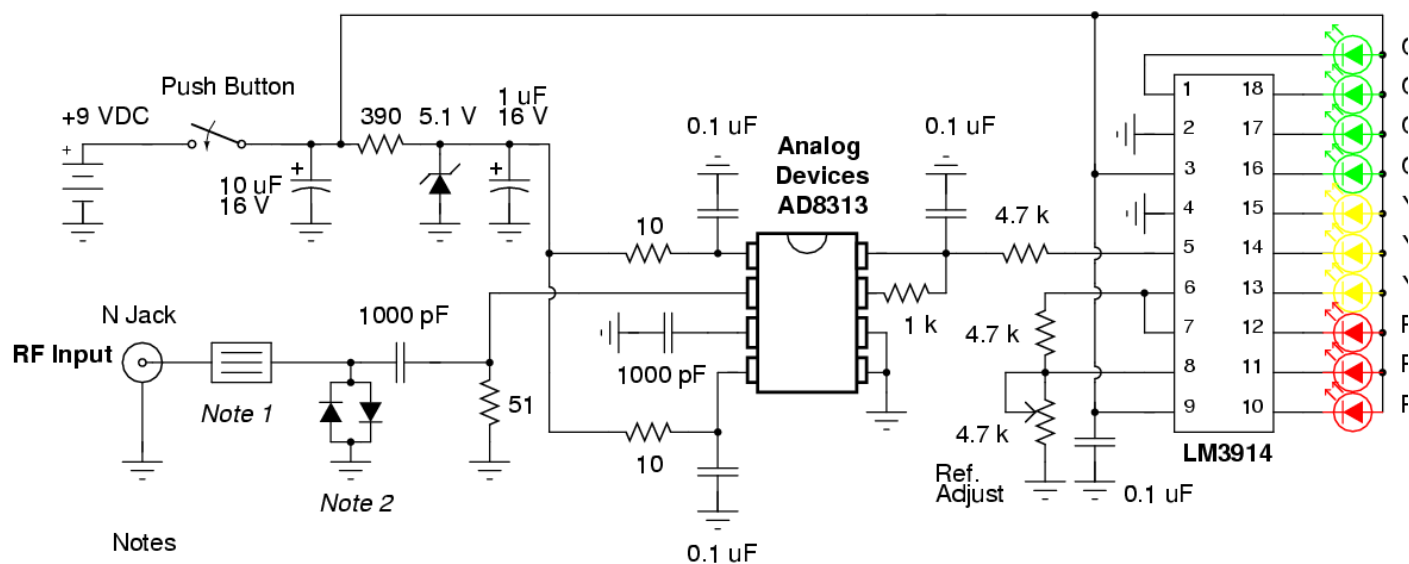


# LED RF Signal Meter

www.gbppr.org



## Notes

All parts should be SMT

5.1 volt zener is 1N5231

Get the AD8313 from Analog Devices, [www.analog.com](http://www.analog.com)

Refer to AD8313 reference design schematic for more information

Note 1 Optional bandpass filter for your desired band to measure

Note 2 Optional RF input protection, two 1N5711 diodes



ERROR: syntaxerror  
OFFENDING COMMAND: --nostringval--

STACK:

/Title  
( )  
/Subject  
(D:20080720004310+03'00')  
/ModDate  
( )  
/Keywords  
(PDFCreator Version 0.9.5)  
/Creator  
(D:20080720004310+03'00')  
/CreationDate  
(Tamer)  
/Author  
-mark-